

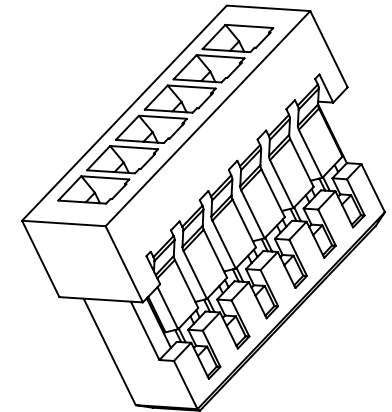
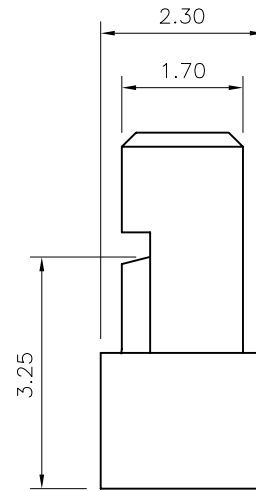
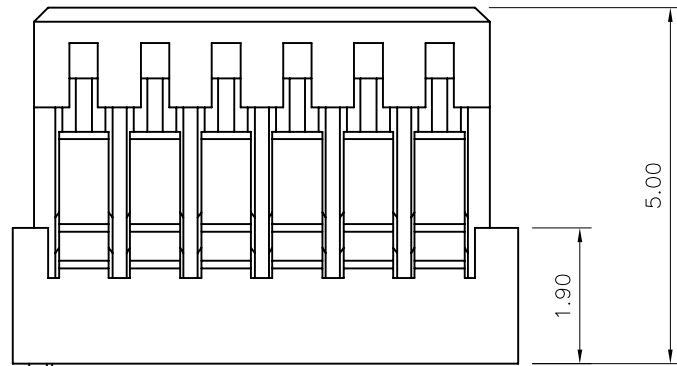
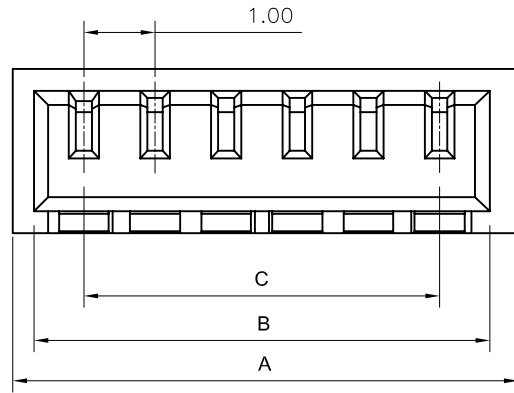
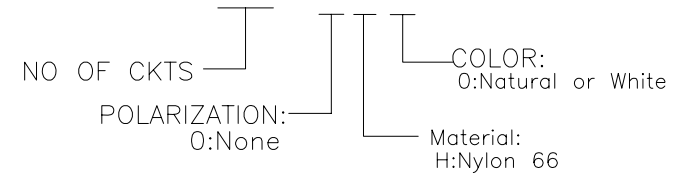


NOTES:

- 1.MATERIAL: THERMOPLASTIC, HIGH TEMP.
UL94V-0; COLOR:NATURAL .
- 2.PRODUCT SPEC REFER TO PS-50429-XXXXX-XXX

P/N LEGEND

50436-XXX H 0 X 0-001



CKT	DIM A	DIM B	DIMC
6pin	7.00	6.40	5.00

一般公差 TOLERANCES ±0.15 .XX ±0.05 ±0.10 .XXX ±0.02 ANGLES ±1°		宏致電子股份有限公司 Aces Electronic Co.,Ltd.	
機械尺寸標示 SYMBOLS Ⓢ INDICATE CLASSIFICATION DIMENSION Ⓢ MARK IS CRITICAL DIM. Ⓢ MARK IS MAJOR DIM.		品名 (TITLE) 1.0mm WTB CONN. HOUSING	製圖 (DR) 10"/12/13 wan.bo 審核 (CHKD) Sam
表面處理 (FINISH)		圖號 (DWG.NO) 50436-XXXH0X0-001	核准 (APPD) JASON
比例 (SCALE) 5:1		單位 (UNITS) mm	張數 (SHEET) 1 OF 1 SIZE A 4 REV 0